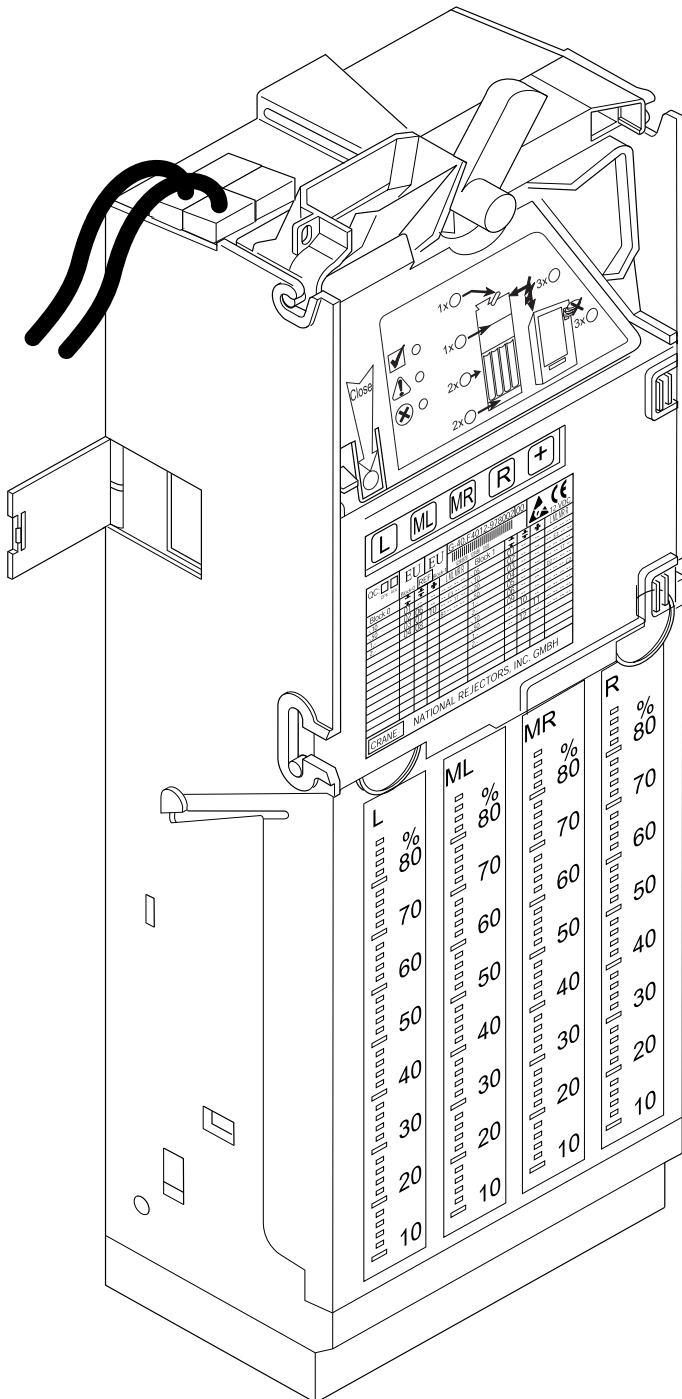


Technical Documentation



A Crane Co. Company



Changer series G-46.F4000

Mounting dimensions

03.06 Schn/ds
Edition 1.0
EM.G46F4-GB



National Rejectors, Inc. GmbH • Zum Fruchthof 6 • D-21614 Buxtehude
Phone: +49 (0)4161-729-0 • Fax: +49 (0)4161-729-115 • E-mail: info@nri.de • Internet: www.nri.de

Table of contents

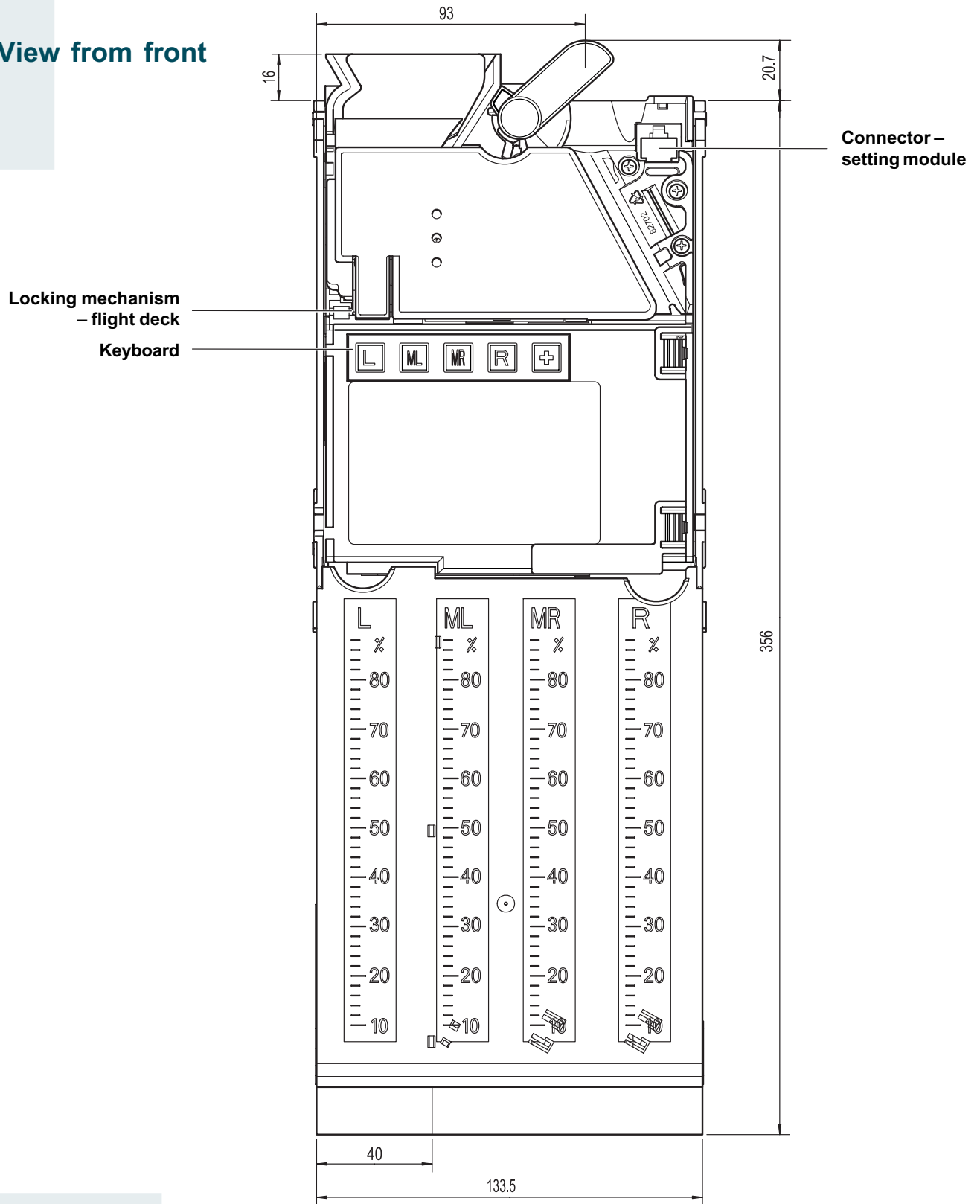
Mounting dimensions	4
View from front	4
View from rear	5
View from above	6
View from below	6
View from the side	7



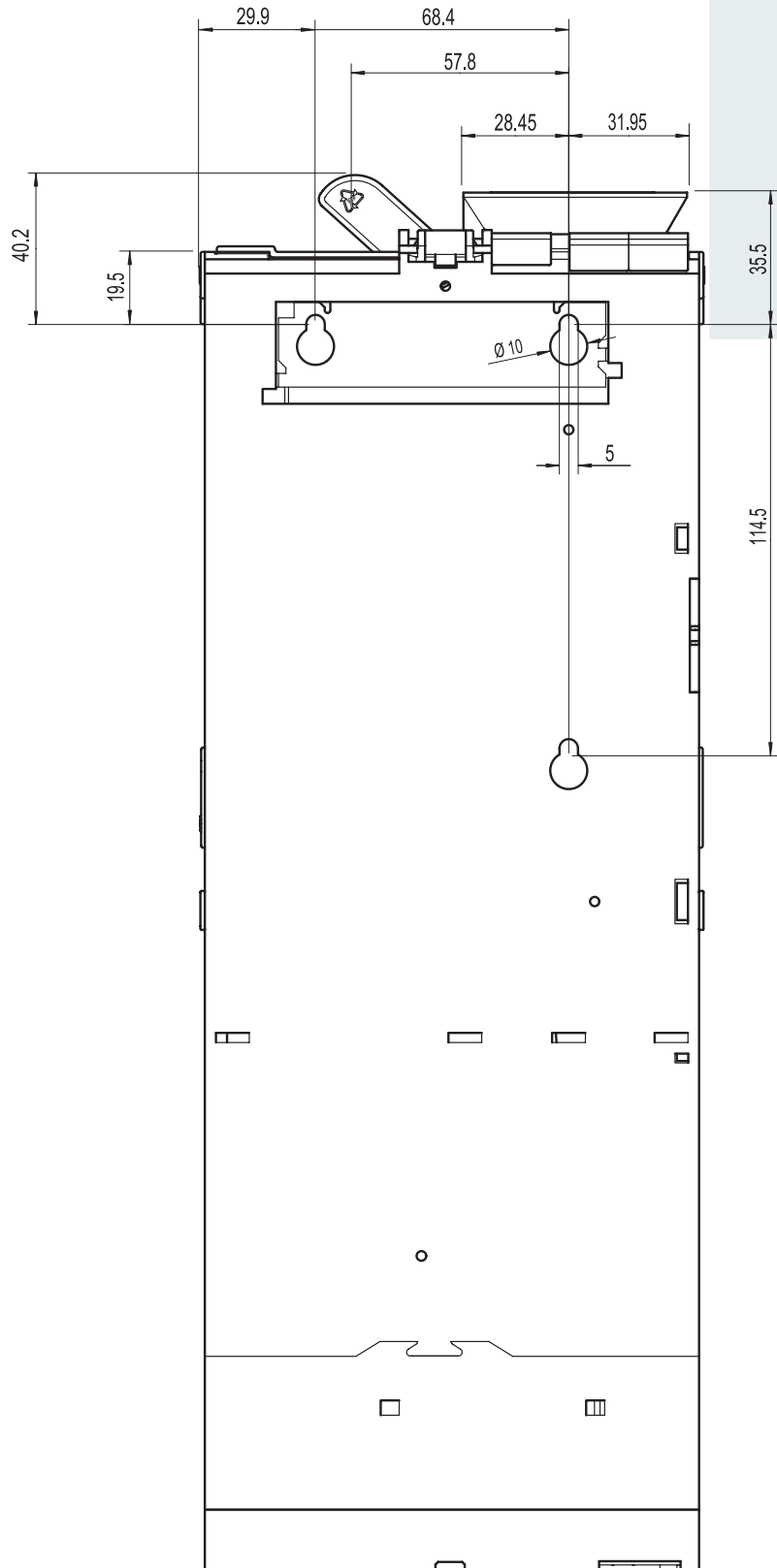
*Are you interested in a 3D solid model in Step format?
No problem: Download at www.nri24.com → Download → Protected
download*

Mounting dimensions

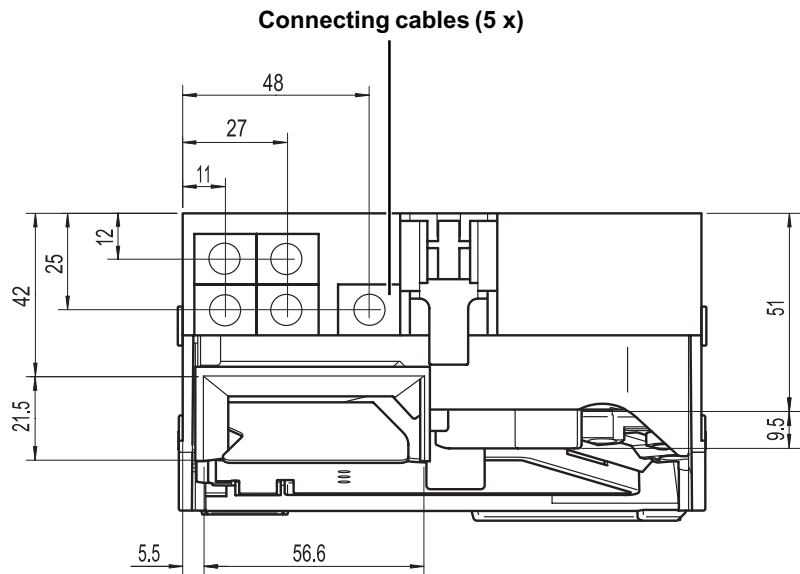
View from front



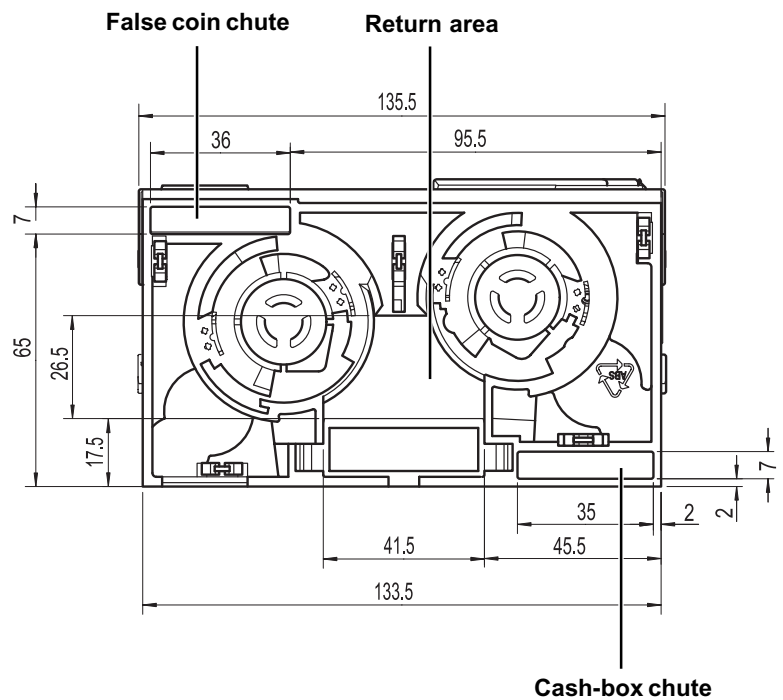
View from rear



View from above



View from below



View from the side

